



SK4-24ICLBHSR+10

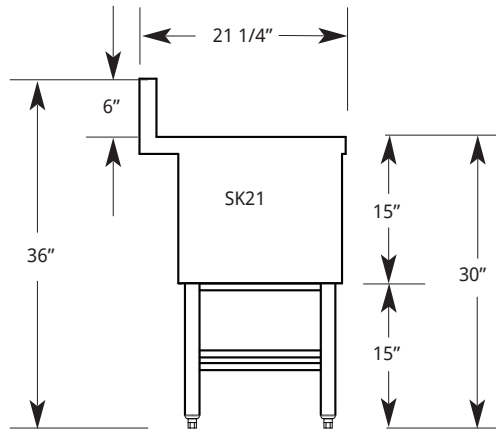
**FEATURES:**

- 304 Stainless Steel, Welded and Polished Top Assembly, Front Apron and Ends
- 304 Stainless Steel, Insulated Ice Bin with Factory-Installed Stainless Steel Drain with 1/2" Standard Female Pipe Thread
- 20-Gauge Polished and Deep-Drawn 304 Stainless Steel Tank with Low Lead Compliant Faucet, 3" Strainer Basket Drain
- Legs: Galvanized Steel Tube and Welded Cross-Brace Construction, with Corrosion Resistant Hammertone Paint and High-Impact Plastic Adjustable Feet
- Ice Chests Include 304 Stainless Steel Sliding Cover
- Constructed to Meet NSF Specifications

**MODEL NUMBERS:**

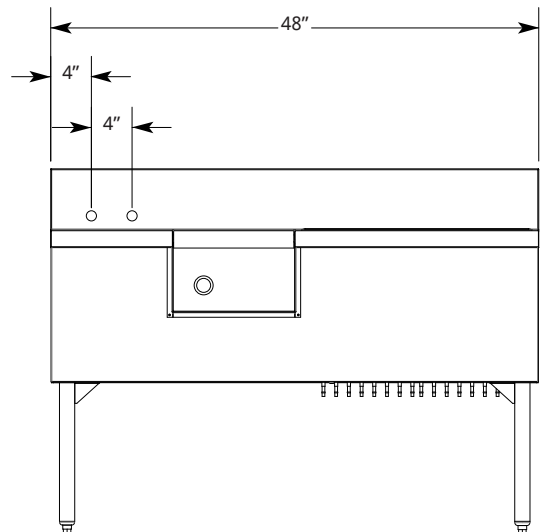
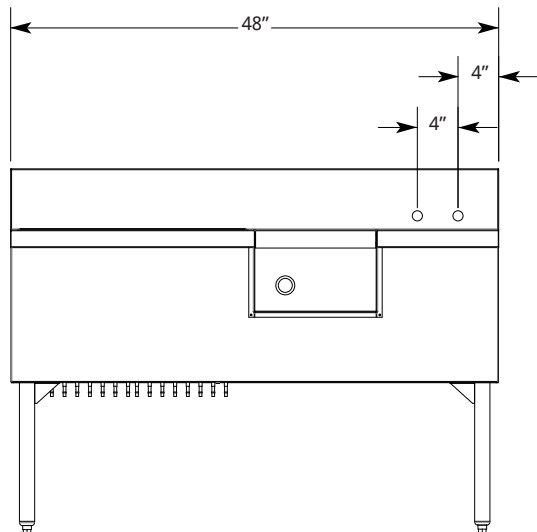
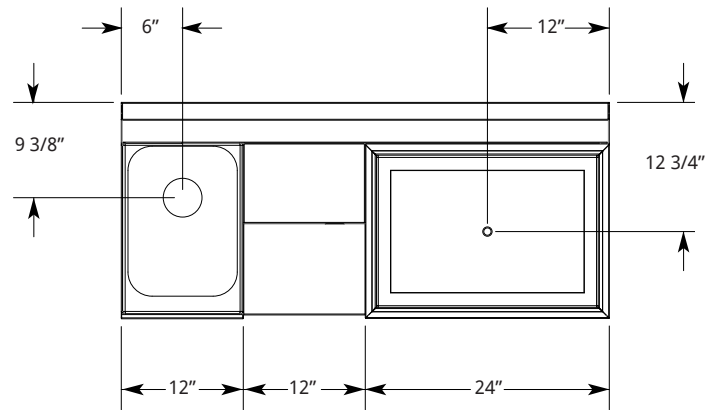
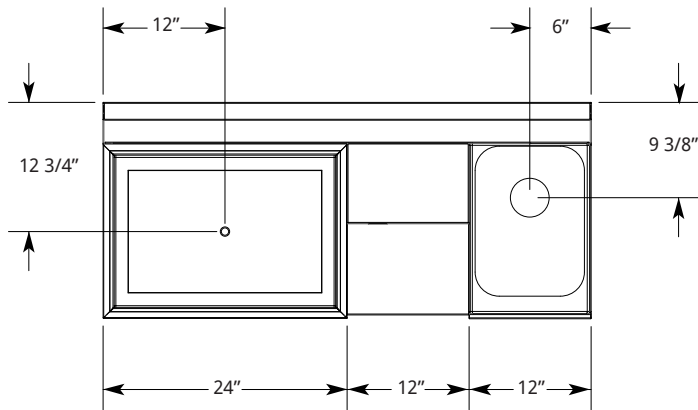
Description	Model
<b>Ice Chest Blender Station Combo</b>	SK4-24ICLBHSR+10
	SK4-24ICRBSHSL+10

# ICE CHEST STATIONS



LEFT CHEST:

RIGHT CHEST:



LaCrosse has a policy of continuous product improvement, and reserves the right to change design and specifications without notice.

L#1008.0317